

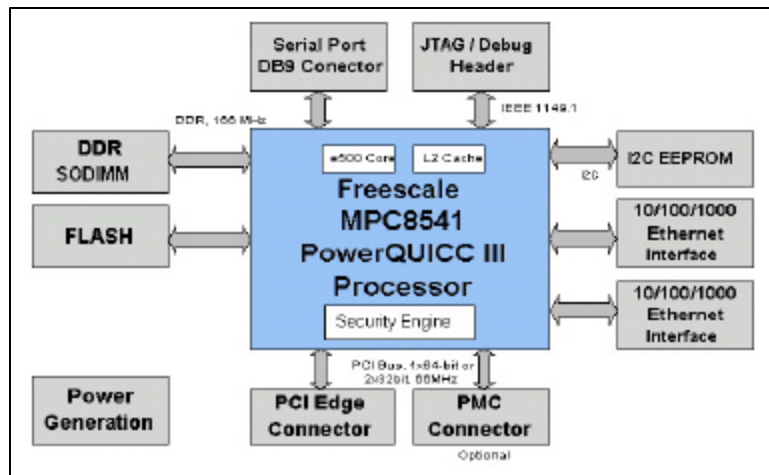


## GDA Technologies' PCI based MPC8541 Reference Design Kit

### Overview

GDA Technologies' PCI-G8400 RDK is a highly integrated Freescale MPC8541 based PCI Card. The MPC8541 RDK's industry standard form factor, high level of integration and security features simplify system design and increase system bandwidth and performance. The RDK can be used in stand alone mode for embedded software development. The RDK MPC8541 two Gigabit Ethernet ports, a serial port, flash memory and dual PCI interfaces provide cost-effective solutions for IO intensive applications. The PCI-G8400 is aimed at a wide range of security, storage and networking applications, such as control processing in routers, switches, network storage applications and image display systems or in security applications such VPN, firewall, and intrusion detection devices. The RDK is available with Embedded Linux.

Evaluation  
and  
Development  
Boards



### Features

- Freescale MPC8541 Processor
- PCI 3.3V, 64-bit add-on card
- 8MB Intel Strata Flash
- DDR Interface (166MHz, 64-bit)
- Serial Port (DB9 connector)
- I<sup>2</sup>C based EEPROM
- Two Gigabit Ethernet Ports
- One Fast Ethernet Port
- One 64-bit or Dual 32-bit, PCI Interface
- Molex connector for stand-alone operation
- Embedded Linux

### Availability and Pricing

The PCI-G8400 will be available October 2004. For pricing details contact GDA Sales at [sales@gdatech.com](mailto:sales@gdatech.com).

