



Development Boards

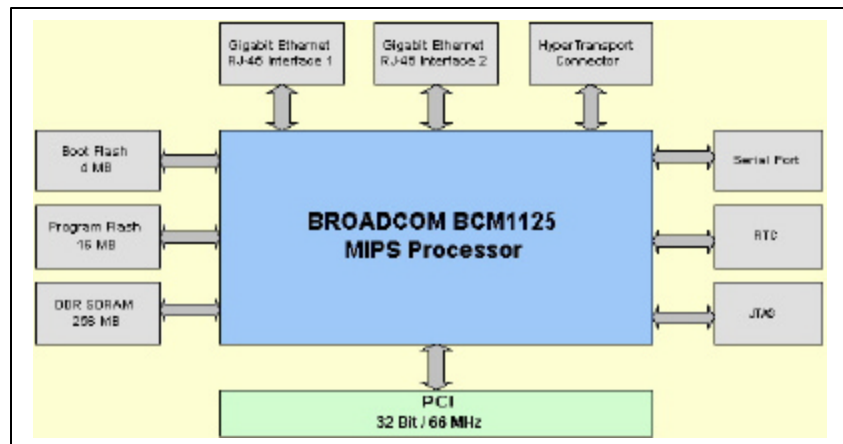
GDA Technologies' PCI-7125 Broadcom BCM1125/BCM1125H PCI Card

Overview

GDA Technologies' PCI-7125 is an exceptionally powerful single board computer in a full size PCI card featuring the Broadcom BCM1125/BCM1125H MIPS Processor. The PCI-7125 provides two Gigabit Ethernet interfaces, DDR SDRAM, Flash and Program Memory and a HyperTransport Interface. The PCI-7125 can operate as a PCI card or on stand alone mode.

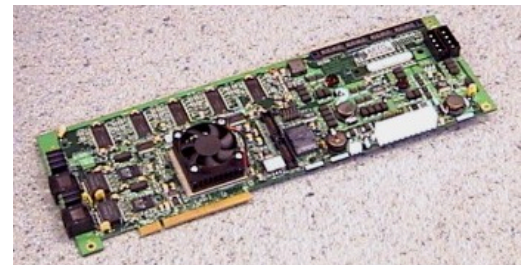
The PCI-7125 is aimed at a wide range of storage and networking applications due to its high level of computing power and connectivity. The applications range from backbone switches, VPN, firewall, and intrusion detection devices to routers and bridges.

The PCI-7125 is available with Embedded Linux.



Features

- Broadcom BCM 1125/BCM1125H @ 600-1000 MHz
- 32-bit, 33/66 MHz PCI Interface (PCI 2.2)
- Two 10/100/1000BASE-T Ethernet ports
- 256MB DDR SDRAM with ECC
- 4MB Boot Flash memory
- 16MB Program memory
- Serial Port
- JTAG header
- HyperTransport Connector (QSE and QTE Connector
Compliant with HyperTransport Consortium Recommendation)
- 3M - Robinson Connector for Probing



Availability and Pricing

The PCI-7125 is now available. For pricing details contact GDA Sales at

sales@gdatech.com.

