



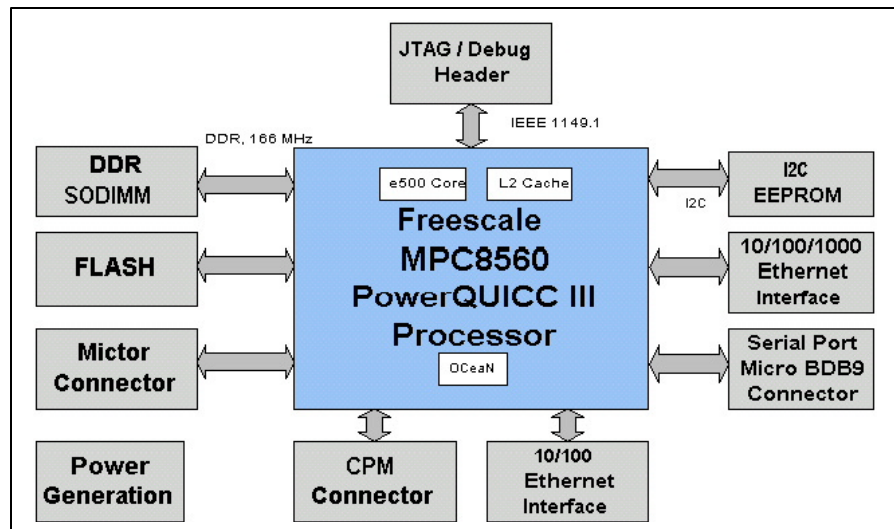
GDA Technologies' MPC8700 Reference Design Kit

Overview

GDA Technologies' SBC-G8700 RDK is a highly integrated Freescale MPC8560 based Single Board Computer. The RDK can be used in stand alone mode for software development around Freescale's MPC8560 PowerQUICC III processor. The Single Board computer provides a DDR SODIMM for SDRAM, Flash Memory, a Gigabit Ethernet Port, JTAG and I2C. Through the CPM, the SBC provides, a CPM connector, a Mictor Connector and a Fast Ethernet Port.

With its rich feature set, the SBC-G8700 allows for hardware designers and software developers to shorten design and development cycles thereby reducing time-to-market.

Evaluation
and
Development
Boards



Features

- Freescale MPC8560 @ upto 833MHz
- One SODIMM Slot for DDR SDRAM (166MHz, upto 1GB memory)
- 8 MB Flash Memory
- I²C based EEPROM
- One Gigabit Ethernet Port
- Local Bus Expansion through Mictor Connector
- Optional CPM Port Expansion Connector
- One Serial Port through a DB9 Connector
- Embedded Linux

Availability and Pricing

The PCI-G8700 is now available. For pricing details contact GDA Sales at sales@gdatech.com.

