

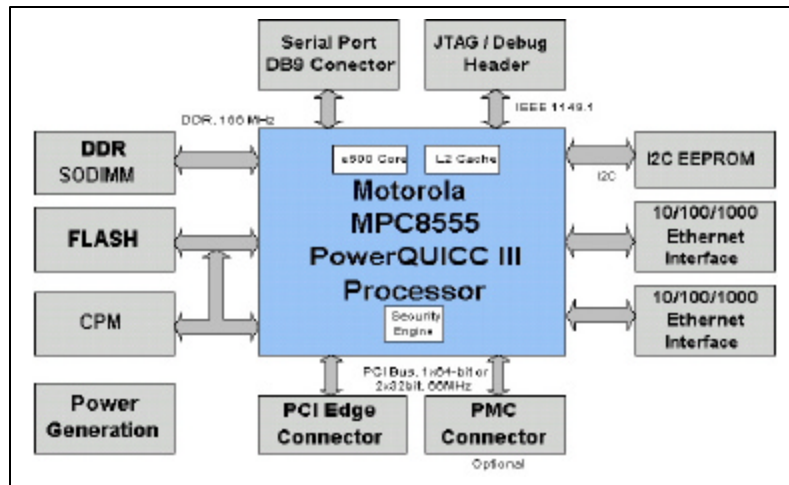


GDA Technologies' PCI based MPC8555 Reference Design Kit

Overview

GDA Technologies' PCI-G8600 RDK is a highly integrated Motorola MPC8555 based PCI Card. The MPC8555 RDK's industry standard form factor, high level of integration and security features simplify system design and increase system bandwidth and performance. The RDK can be used in stand alone mode for embedded software development. The RDK MPC8555 two Gigabit Ethernet ports, a serial port, flash memory and dual PCI interfaces provide cost-effective solutions for IO intensive applications. The PCI-G8600 is aimed at a wide range of security, storage and networking applications, such as control processing in routers, switches, network storage applications and image display systems or in security applications such VPN, firewall, and intrusion detection devices. The RDK is available with Embedded Linux.

Evaluation
and
Development
Boards



Features

- PCI 3.3V, 64-bit add-on card
- MPC8555 Processor (can be replaced with MPC8541)
- 8MB Intel Strata Flash
- DDR Interface (166MHz, 64-bit)
- Serial Port (DB9 connector)
- I²C based EEPROM
- Two Gigabit Ethernet Ports
- One Fast Ethernet Port
- One 64-bit or Dual 32-bit, PCI Interface
- Molex connector for stand-alone operation
- Embedded Linux

Availability and Pricing

The PCI-G8600 will be available July 2004. For pricing details contact GDA Sales at

sales@gdatech.com.

