



Development
Boards

GDA Technologies' IXP2800 based PCI Mezzanine Card

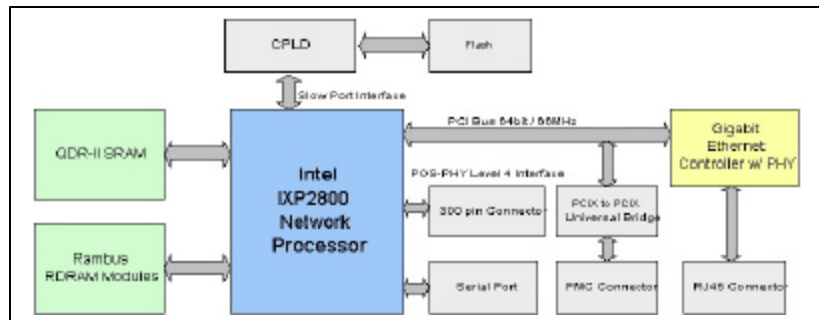
Overview

GDA Technologies' PMC-3000 board is PMC form factor, high performance development platform based around Intel's IXP2800 Network Processor. The rich feature set, that includes QDR Memory, RDRAM modules and Flash Memory, provides developers great flexibility to explore various development applications around the IXP2800.

The PMC-3000 is equipped with a 300-pin Meg-Array connector for an MSF or SPI-4.2 interface. Users can run various applications, having an aggregate bandwidth of 10 Gbps, with the help of an external daughter card. These applications range from SONET/SDH to POS and from ATM to Gigabit Ethernet.

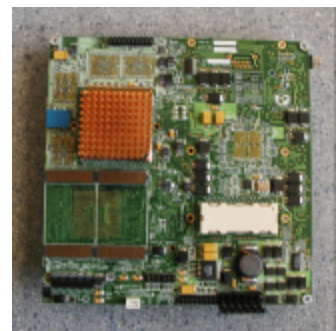
The PMC form factor makes the PMC-3000 an ideal choice for System Integrators and OEMs to use as a plug-in NPU module on System controller cards, Mother boards, I/O peripheral boards, Server blades and Security servers.

The platform is designed to serve as PrPMC (Processor PCI Mezzanine Card) and is compliant with VITA 32 Standard. The board is also available with Intel's IXP2850.



Features

- IXP2800, IXP2850 Intel Network Processors
- 2 RDRAM Interface Module Connectors supporting 512MB RDRAM each
- QDRII SRAM Memory (up to 16 MB)
- SPI4.2 Connector
- Gigabit Ethernet Port
- 16MB Flash Memory
- Serial Port
- PrPMC / PMC Connector
- JTAG
- Universal P2P Bridge capable of PCI-X-to-PCI-X communication



GDA Technologies, Inc.
1010 Rincon Circle
San Jose, CA 95131
Phone: 408 432 3090
www.gdatech.com

Availability and Pricing

The PMC-3000 is now available. For pricing details contact GDA Sales at sales@gdatech.com.

