



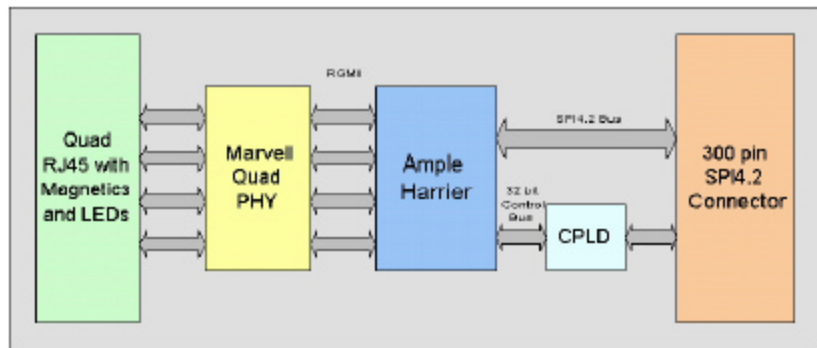
Daughter
Cards

GDA Technologies' SPI-4 to GigE Daughter Card

Overview

GDA Technologies' DC-3000 board is a SPI-4.2 to Gigabit Ethernet Daughter Card using Ample Communications A2511 12 port Ethernet MAC. This card plugs into GDA's IXP2800 PrPMC board using a 300-pin Meg-Array connector. The SPI-4.2 interface is used for data and the slow port for control. The card provides 4 Gigabit ports using a Marvell Quad PHY and Quad RJ45 connector.

The DC-3000 combined with GDA Technologies' IXP2800 based PMC Card, can be used for data processing in routers, switches, Ethernet aggregators, VPN Security systems and in Ethernet over SONET and Storage applications. The design is an exceptional development platform for software development and debug, as well as for hardware development.



Features

- ◆ Ample Communications A2511 Ethernet MAC
 - Up to 12 ports of 10/100/1000 Ethernet
 - RGMII/RMII interfaces to PHYs
 - SPI-4.2 Interface
- ◆ Marvell 88E1011 Ethernet PHY
- ◆ Quad RJ45 connector
- ◆ 300 pin MegArray SPI4.2 connector
- ◆ On-board LED support
- ◆ Power through the 300 pin MegArray Connector
- ◆ CPLD Port Header
- ◆ Board Size: 138mm x 84mm
- ◆ 15W Power Requirement



GDA Technologies, Inc.
1010 Rincon Circle
San Jose, CA 95131
Phone: 408 432 3090
www.gdatech.com

Availability and Pricing

The DC-3000 is now available. For pricing details contact GDA Sales at sales@gdatech.com.

