



GDA Technologies' PCI based MPC8540 Reference Design Kit

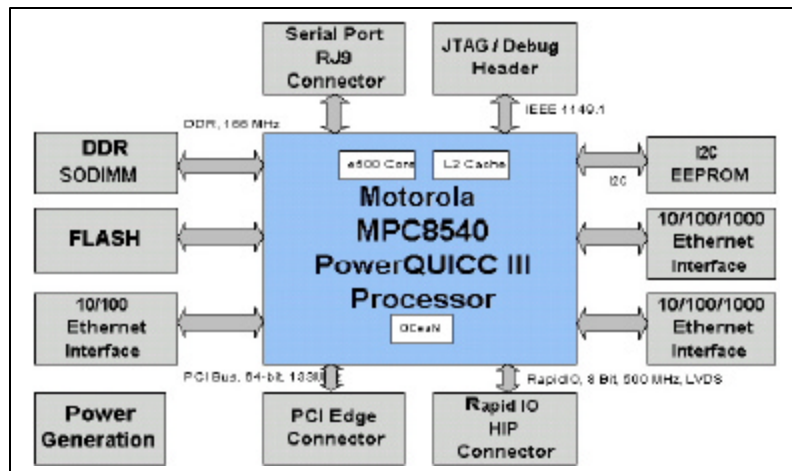
Overview

GDA Technologies' PCI-G8500 RDK is a highly integrated Motorola MPC8540 based PCI Card. The PCI-G8500 is available with Uboot and Embedded Linux.

The high level of integration and industry standard form factor provides an exceptional development platform for software development and debug, as well as for hardware system development and integration.

The PCI-G8500 is aimed at a wide range of storage and networking applications, such as control processing in routers, switches, network storage applications and image display system or in VPN, firewall, and intrusion detection devices.

The PCI-G8500 can also operate in a stand alone mode.



Features

- Motorola MPC8540 @ upto 833MHz
- One SODIMM Slot for DDR SDRAM (166MHz, upto 1GB memory)
- 8 MB Flash Memory
- I²C based EEPROM
- Two Gigabit Ethernet Ports
- One Fast Ethernet Port
- Rapid I/O Interface conforming to Hardware Inter-operability Platform (HIP) Specs
- One Serial Port through a DB9 Connector
- PCI Form Factor
- Embedded Linux

Availability and Pricing

The PCI-G8500 is now available. For pricing details contact GDA Sales at

sales@gdatech.com.

